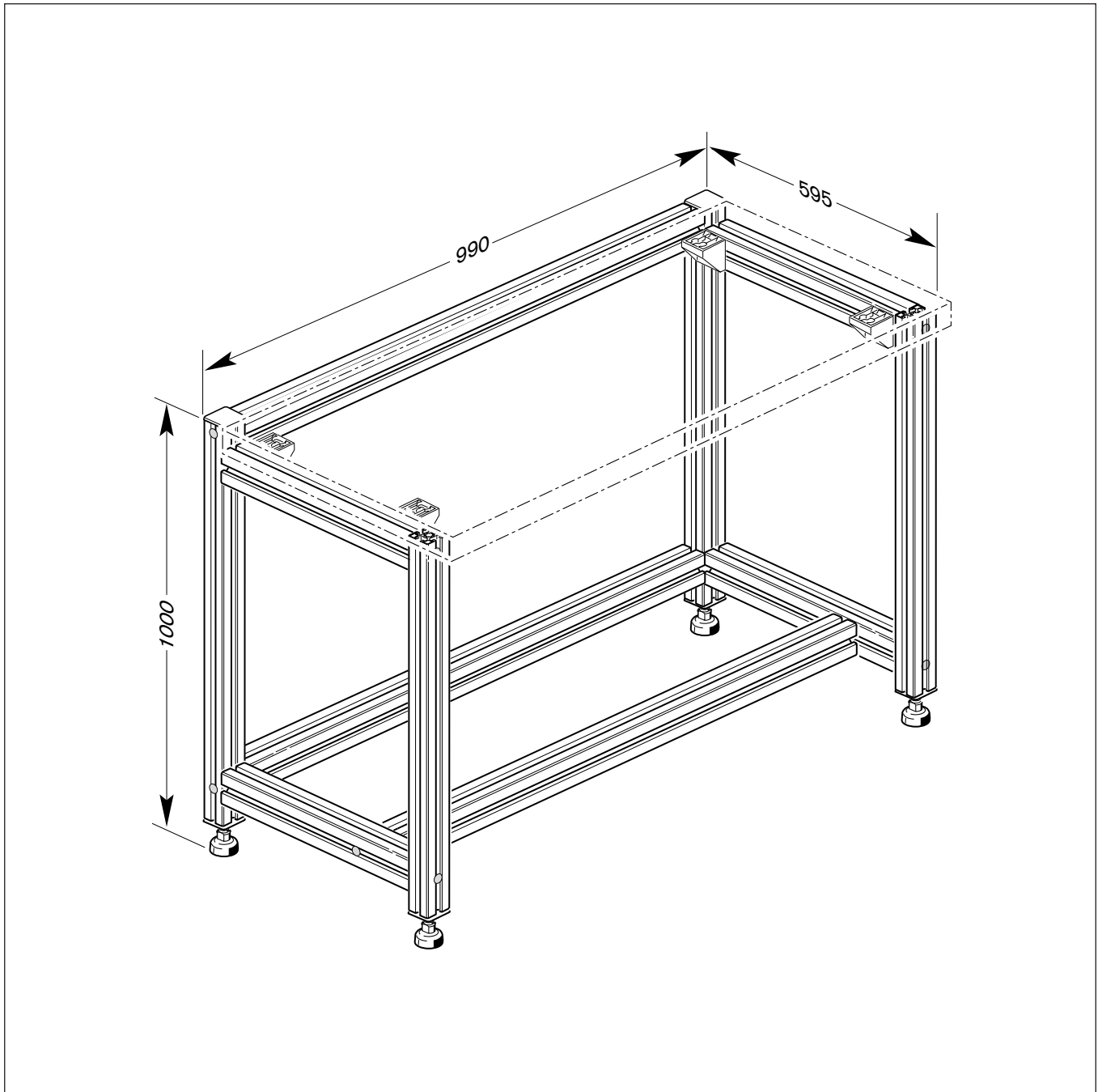
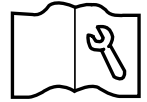


# Box Style Table Frame

Part No. 3842 512 567

Assembly Guide



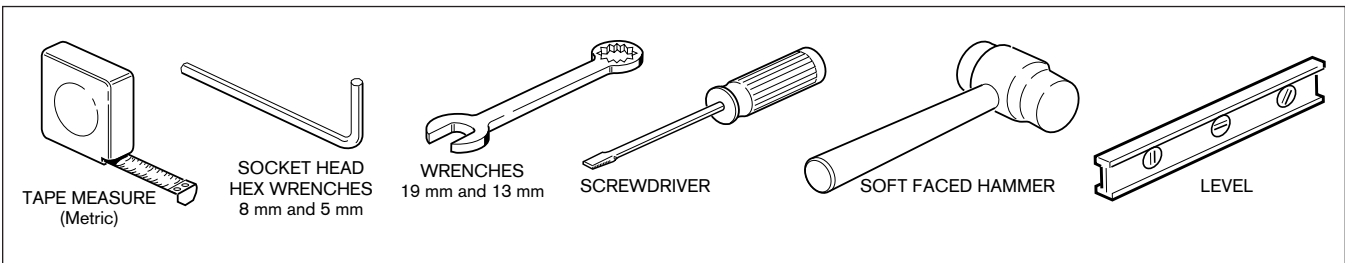
**BOSCH**

Automation Technology

**SPECIFICATIONS**

Box style frame part number .....	3842512567
Height .....	1000 mm (39.37")
Width .....	990 mm (38.976")
Depth .....	595 mm (23.425")
Maximum load, centered .....	450 lbs. (2000 N)
Maximum load, distributed .....	900 lbs. (4000 N)

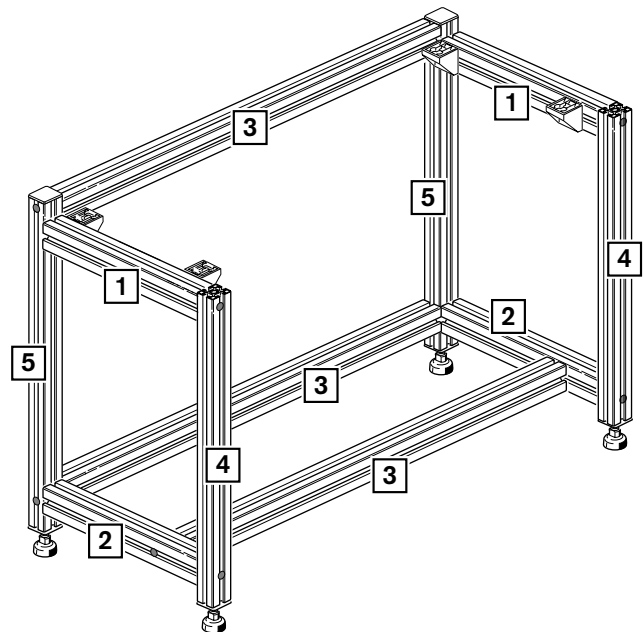
**TOOLS REQUIRED**



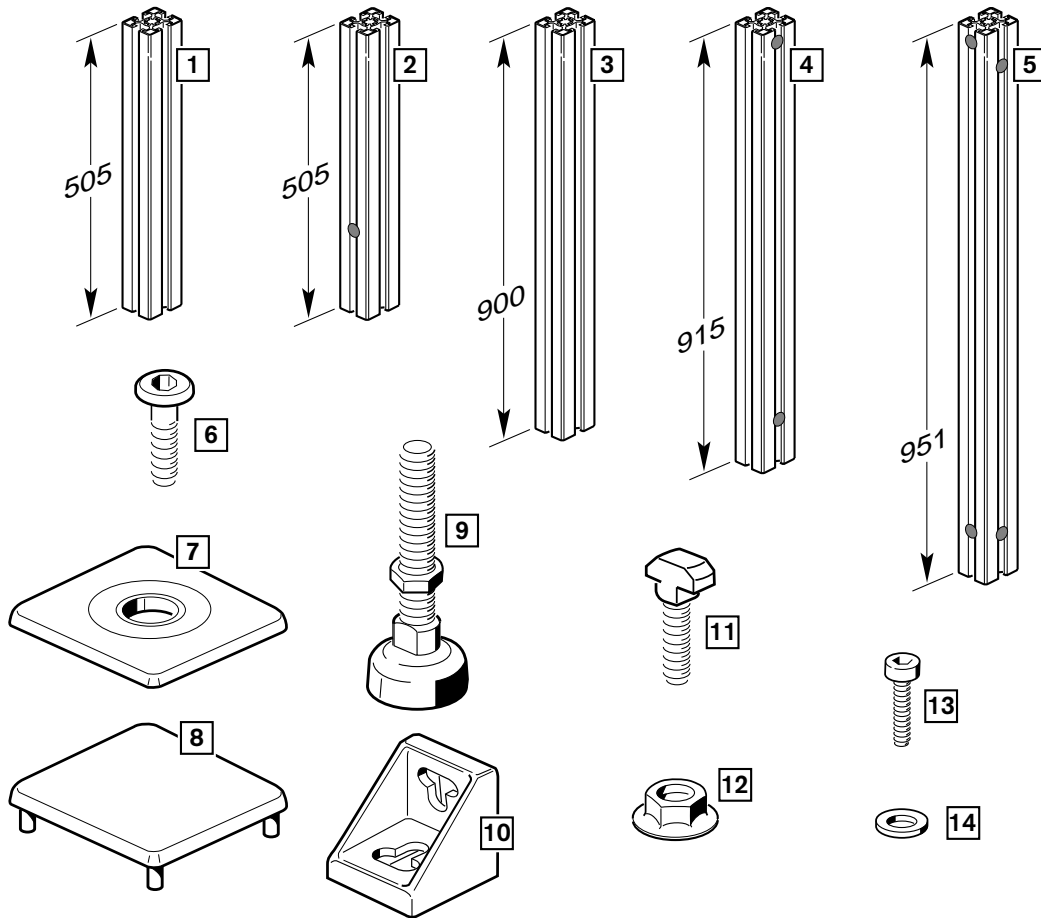
**BEFORE YOU BEGIN**

Before you begin to assemble the table, read through this manual to familiarize yourself with the assembly procedure. Check all parts carefully against the parts list on page 3. In some instances you may have extra hardware. The strut profiles can easily be identified by grouping them with one end even and then sorting them by length as shown in the parts list. Also the Bosch part number is attached to each profile for easy identification.

The adjacent drawing shows the location of each strut profile as it relates to the parts list. You may find it helpful to photo copy the parts list page and refer to it as you assemble the table.

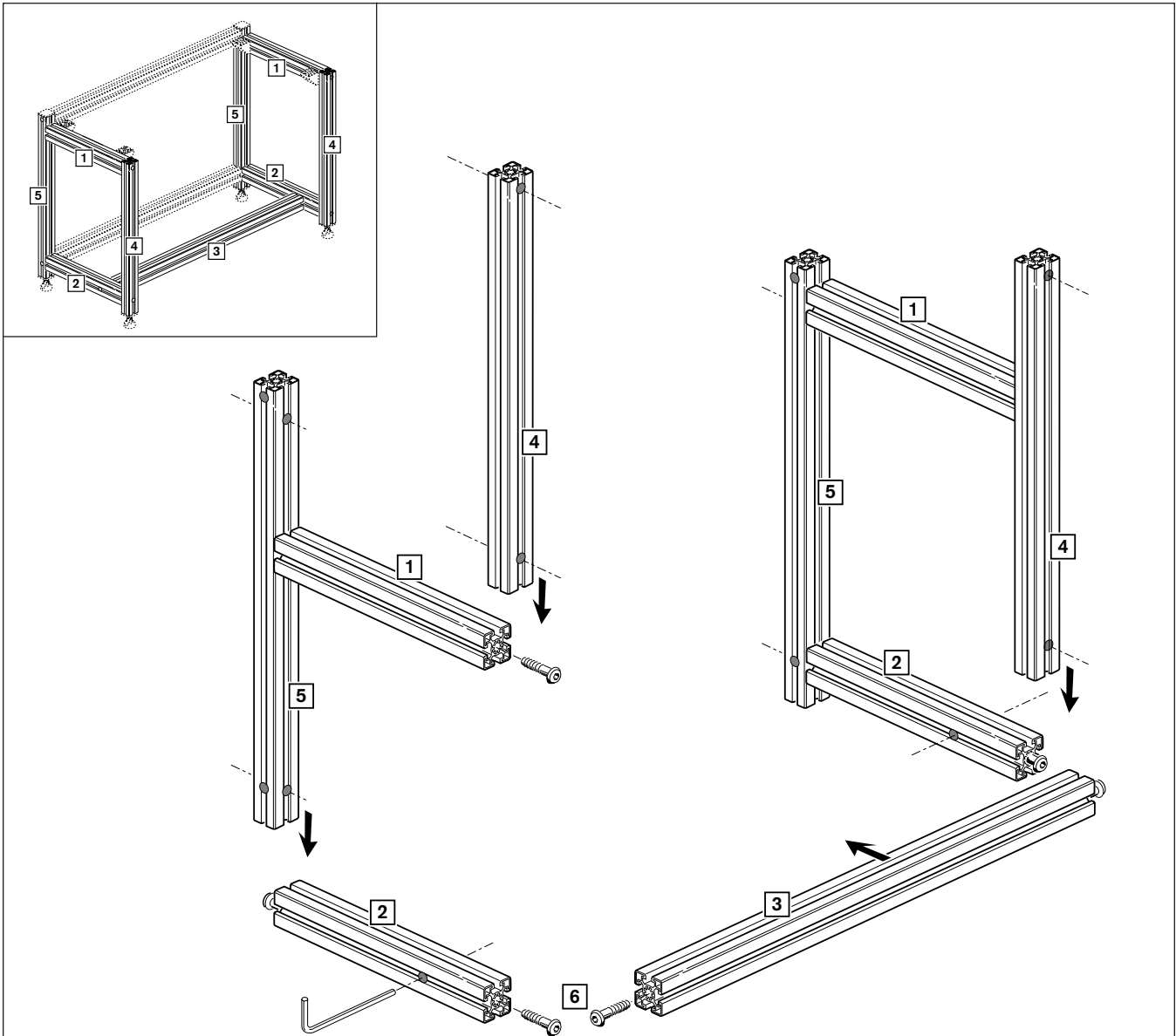


**PARTS LIST**

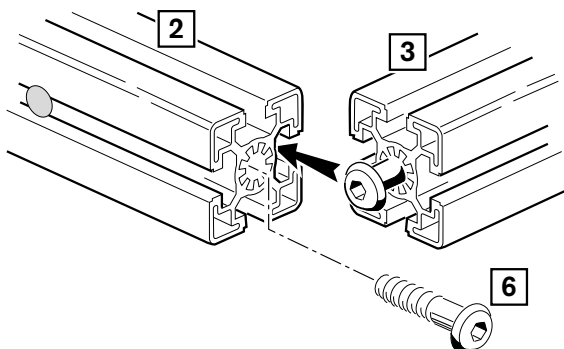


Key Number	Description	Quantity Needed	Part Number
[1]	505 mm x 45 x 45 strut profile	2	3842512550
[2]	505 mm x 45 x 45 strut profile	2	3842512549
[3]	900 mm x 45 x 45 strut profile	3	3842512558
[4]	915 mm x 45 x 45 strut profile	2	3842512559
[5]	951 mm x 45 x 45 strut profile	2	3842512560
[6]	S12 x 30 connection screw	14	3842511943
[7]	Leg cap, 45 x 45	4	3842502200
[8]	Upper profile cap, 45 x 45	6	3842502674
[9]	Leveling foot	4	3842352061
[10]	Gusset	4	3842348526
[11]	T-bolt, 25 mm	4	3842197091
[12]	Flange nut	4	3842345081
[13]	DIN7984 M8 x 30 LHCS	4	2910131246
[14]	DIN7349 M8 flat washer	4	2916201005

## LEG SET ASSEMBLY



1 Install connection screws [6] into both ends of profiles [1], [2] and [3]. Turn the screw into the profile until the threads are completely inside the profile as shown below.

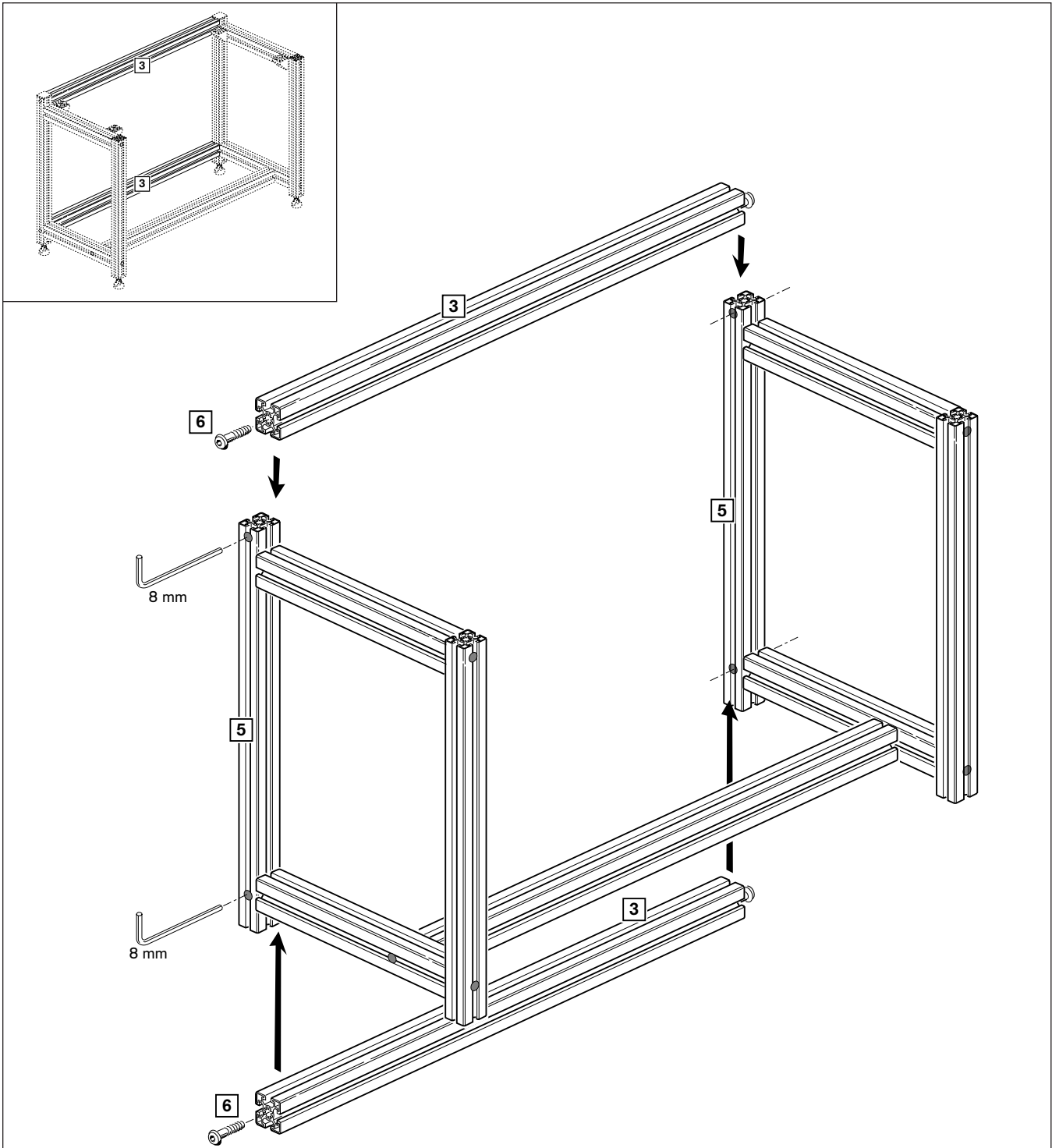


2 Slide profile [3] into position between profiles [2] and tighten the connection screw through the hole in the profile with an 8 mm socket head wrench.

3 Secure profile [5] to the back of the upper and lower profiles [1] and [2].

4 Connect profile [4] to the front of both upper and lower profiles [1] and [2]. Tighten all connector bolts to 35 Nm (25Ft/lbs).

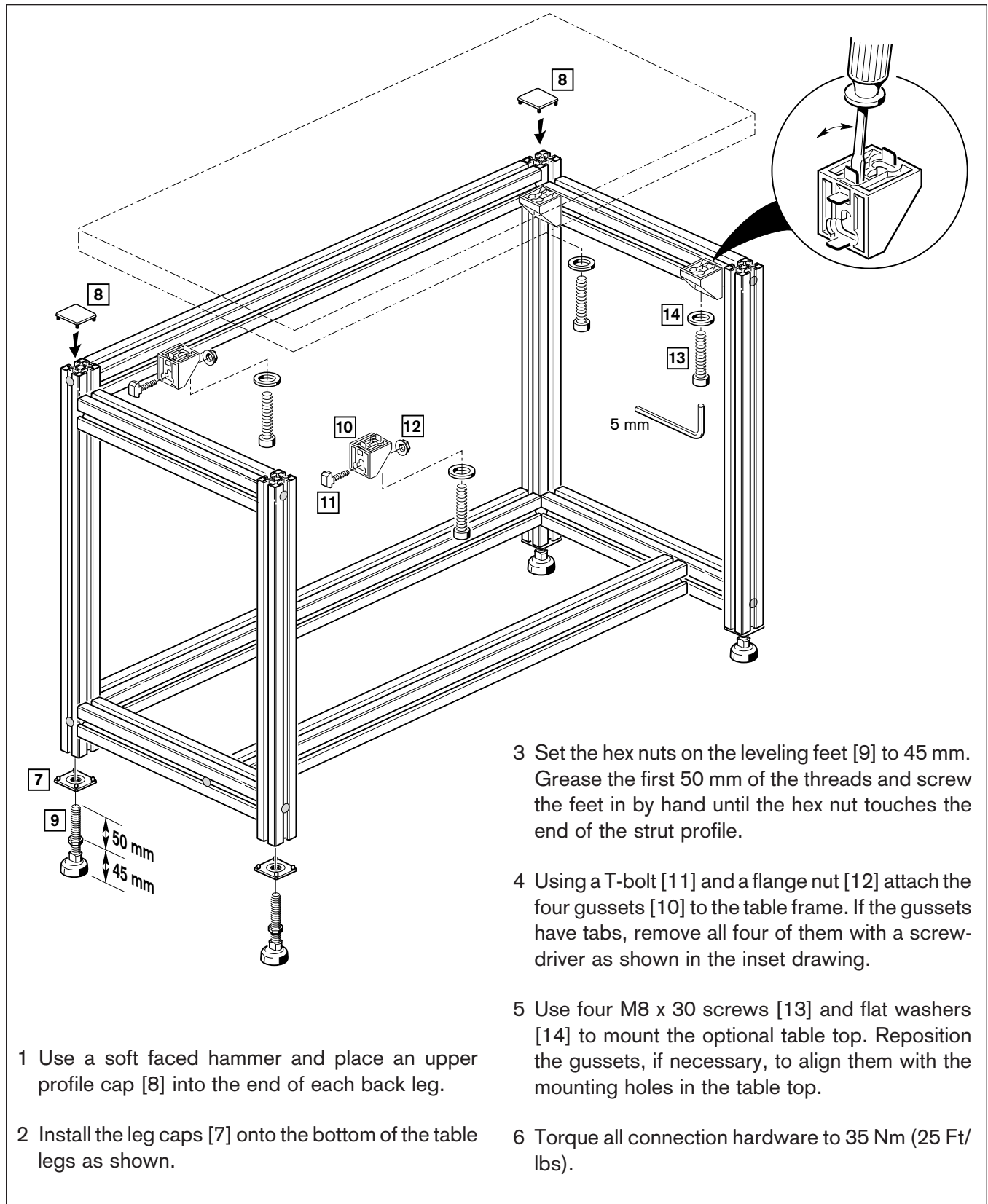
**FRAME ASSEMBLY**



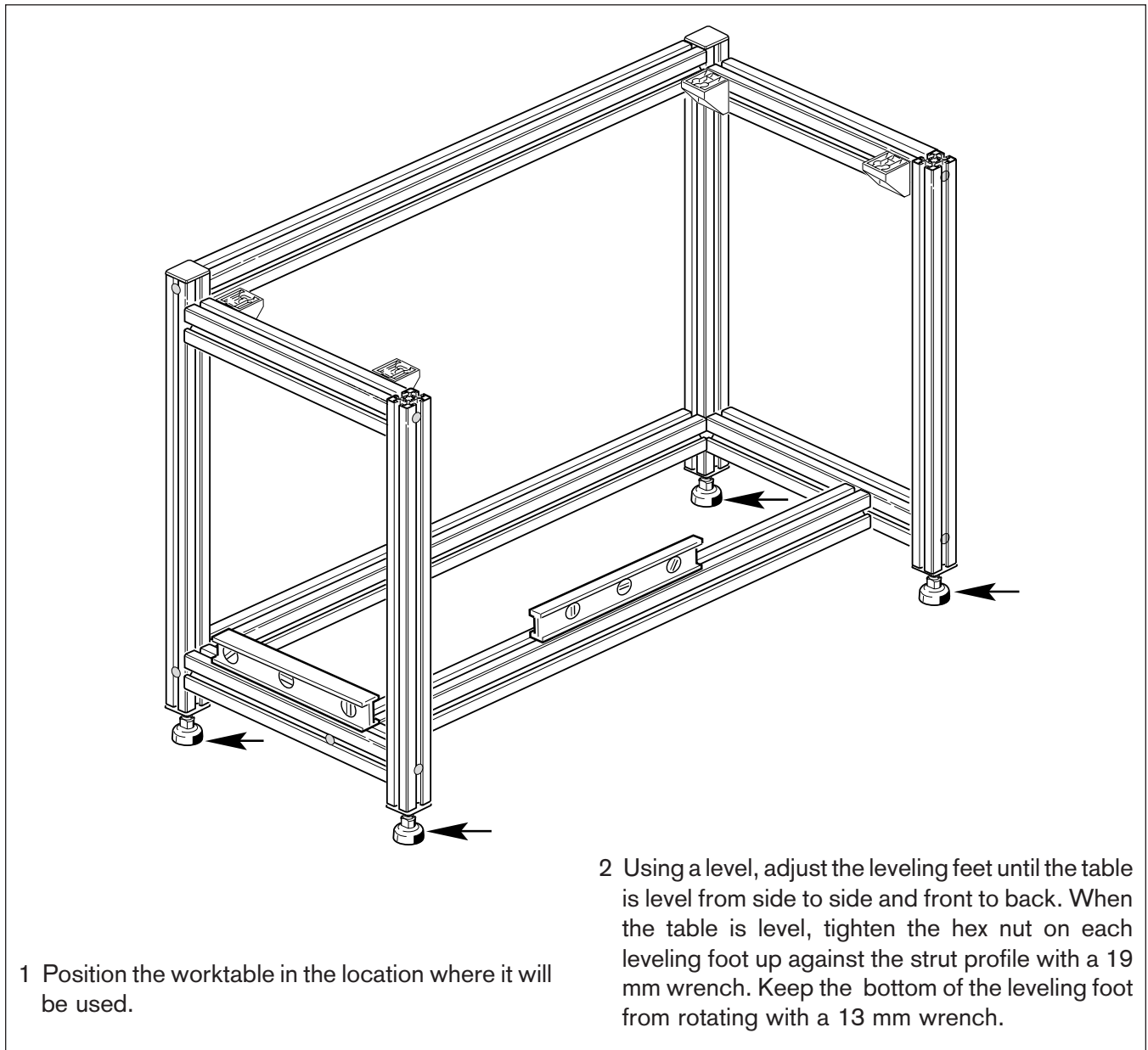
1 Install connection screws [6] into the ends of both profiles [3].

2 Slide the profiles [3] into position between the legs [5] and then tighten the connection screws.

## FINAL ASSEMBLY



## INSTALLATION



1 Position the worktable in the location where it will be used.

2 Using a level, adjust the leveling feet until the table is level from side to side and front to back. When the table is level, tighten the hex nut on each leveling foot up against the strut profile with a 19 mm wrench. Keep the bottom of the leveling foot from rotating with a 13 mm wrench.

---

**BOSCH**



All rights are held by BOSCH AUTOMATION PRODUCTS and ROBERT BOSCH GMBH, also regarding patent claims. We retain all powers of disposition, such as for copying and/or for passing-on to third parties.

**We reserve the right to make technical changes at any time without notice.**

Errors and omissions excepted.

© 1997 Bosch Automation Products

**8981 500 192 6/97**

Bosch Automation Products

**BOSCH** Group

816 E. Third St.

Buchanan, MI 49107

Hot line: (800) 32-**BOSCH** [800-322-6724]

In Canada (800) 88-**BOSCH** [800-882-6724]

Tel.: (616) 695-0151

FAX: (616) 695-5363