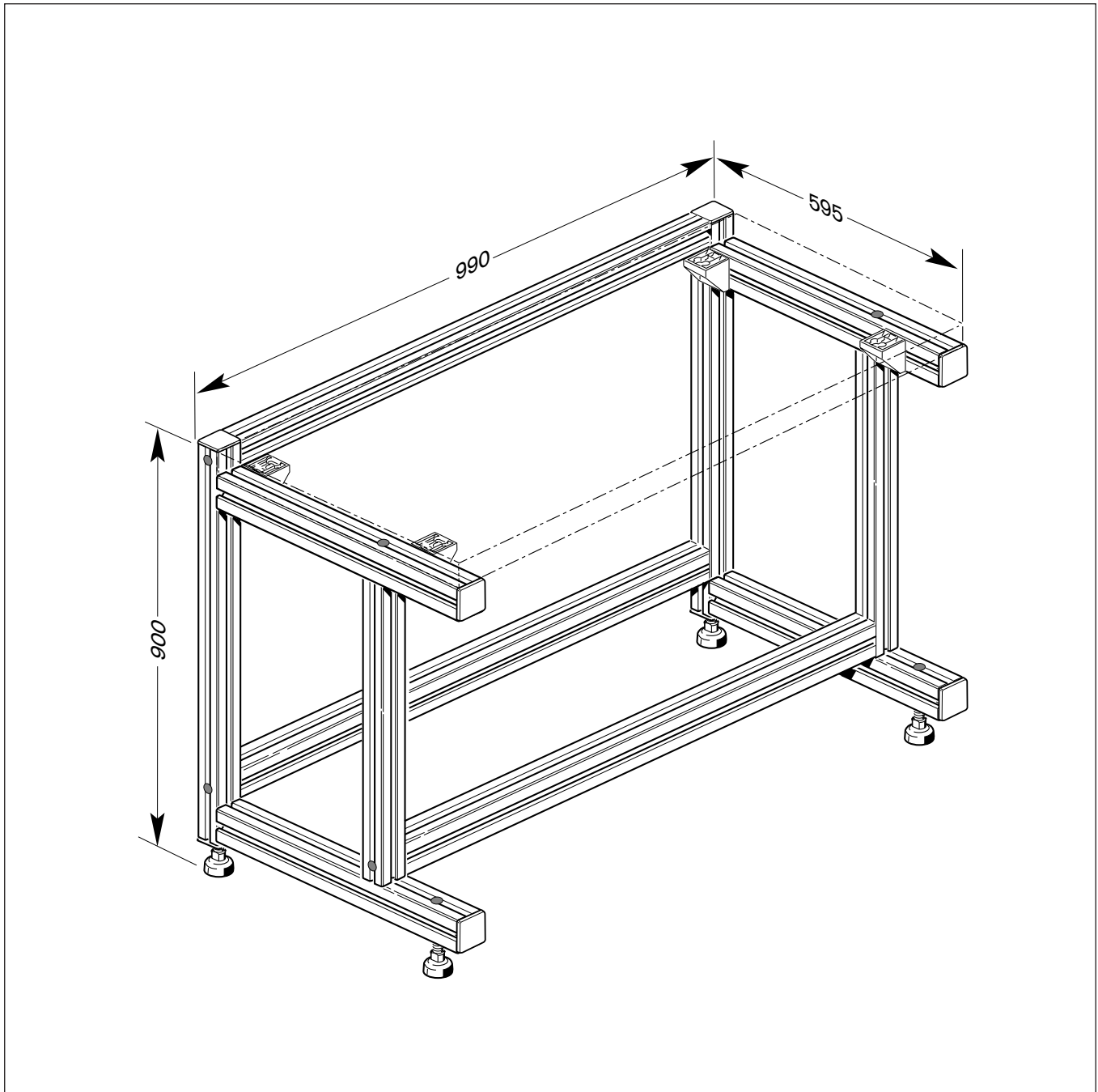
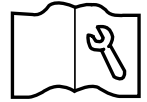


Desk Style Table Frame

Part No. 3842 512 568

Assembly Guide



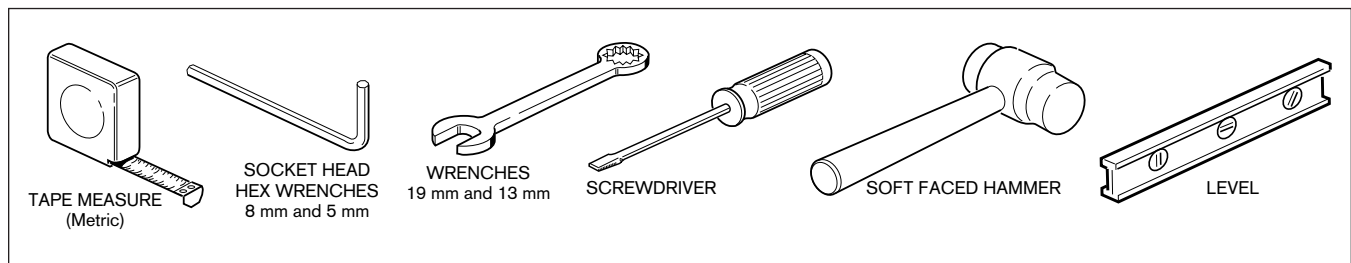
BOSCH

Automation Technology

SPECIFICATIONS

Desk style frame part number	3842512568
Height	900 mm (35.43")
Width	990 mm (38.976")
Depth	595 mm (23.425")
Maximum load, centered	450 lbs. (2000 N)
Maximum load, distributed	900 lbs. (4000 N)

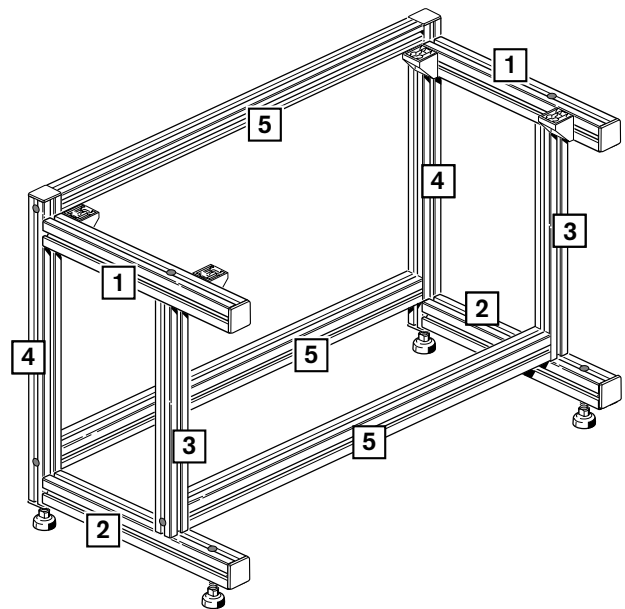
TOOLS REQUIRED



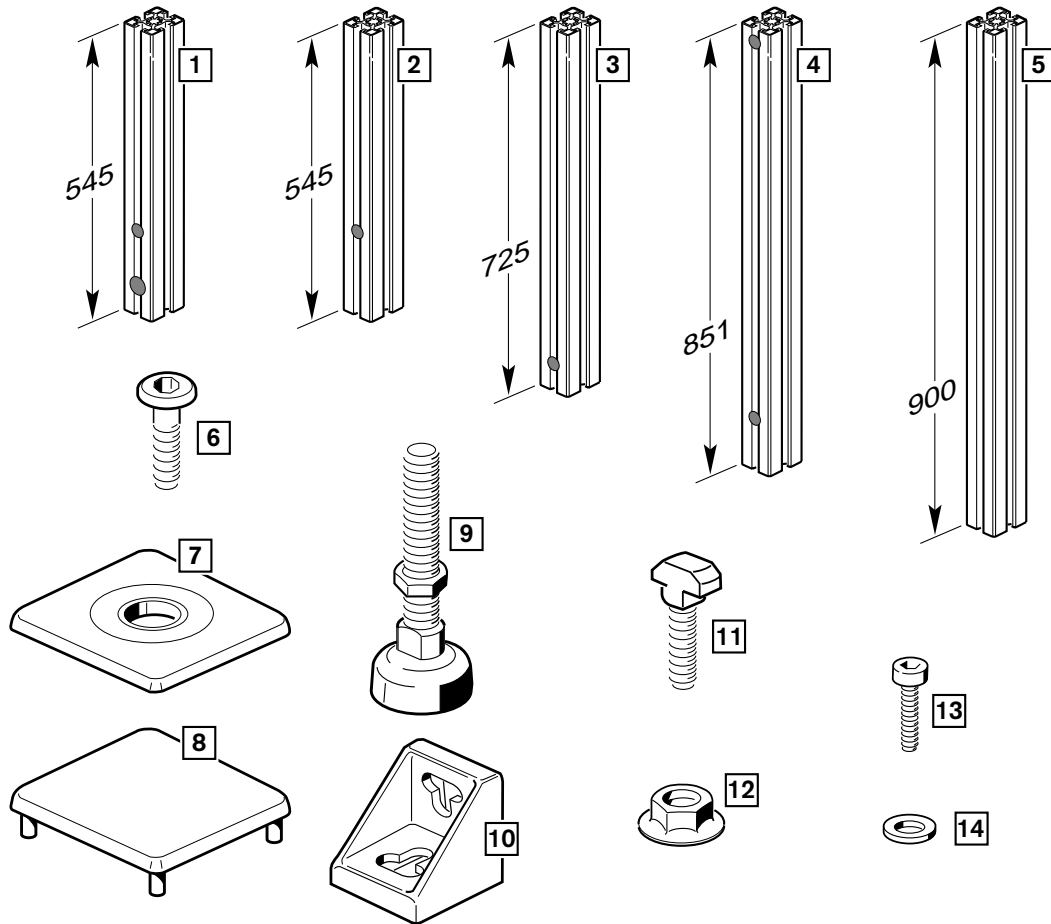
BEFORE YOU BEGIN

Before you begin to assemble the desk, read through this manual to familiarize yourself with the assembly procedure. Check all parts carefully against the parts list on page 3. In some instances you may have extra hardware. The strut profiles can easily be identified by grouping them with one end even and then sorting them by length as shown in the parts list. Also the Bosch part number is attached to each profile for easy identification.

The adjacent drawing shows the location of each strut profile as it relates to the parts list. You may find it helpful to photo copy the parts list page and refer to it as you assemble the table.

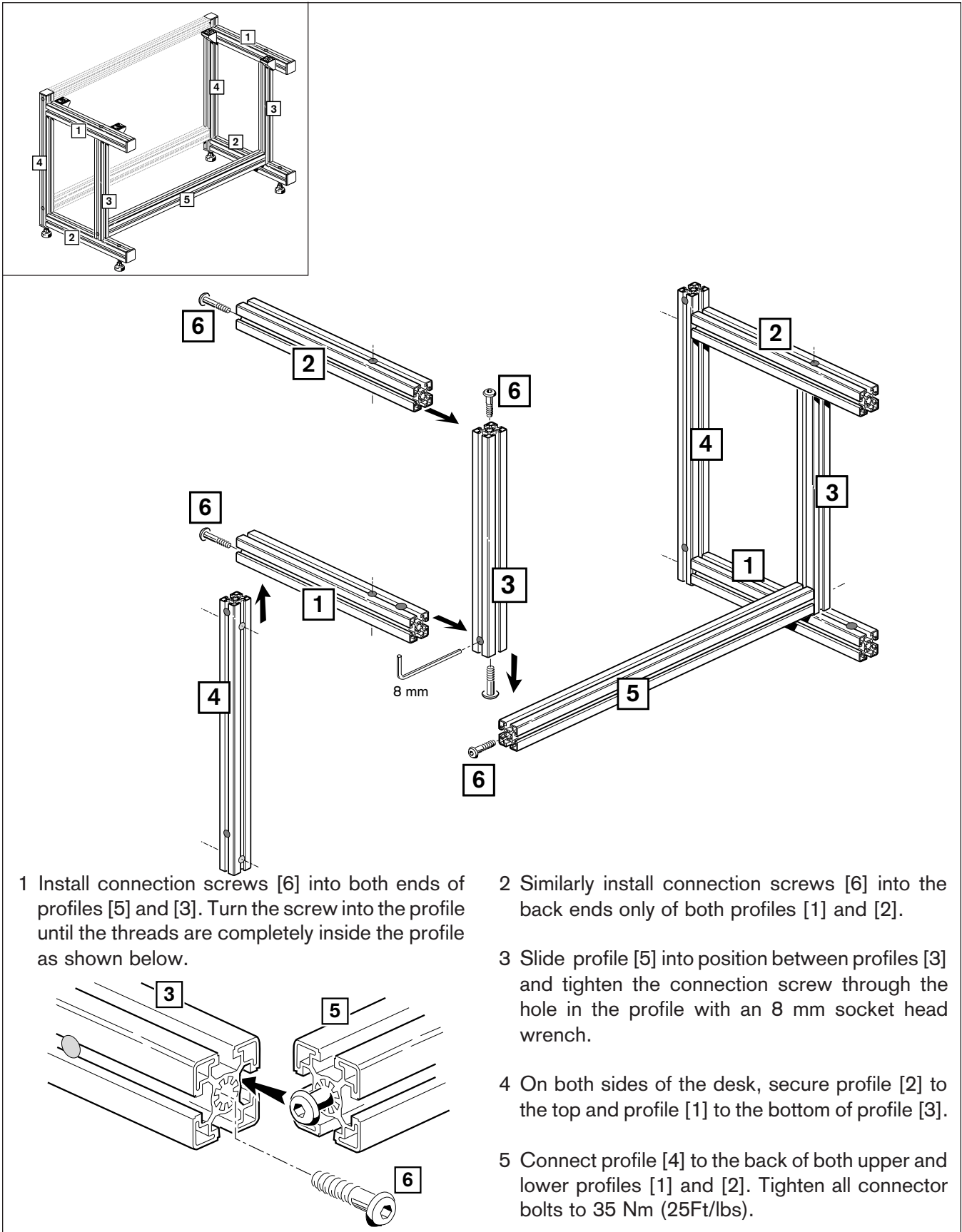


PARTS LIST

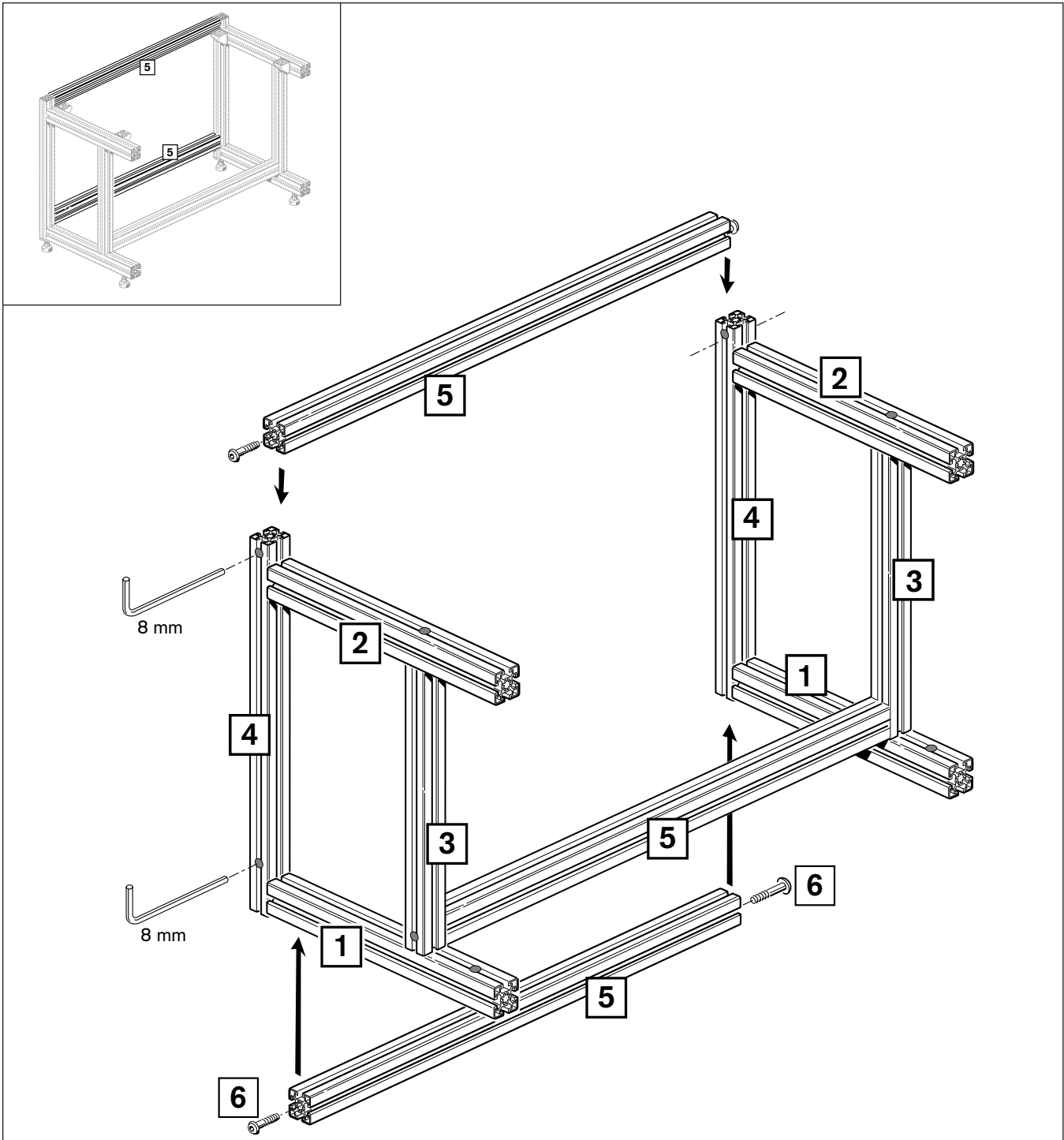


Key Number	Description	Quantity Needed	Part Number
[1]	545 mm x 45 x 45 strut profile	2	3842512552
[2]	545 mm x 45 x 45 strut profile	2	3842512551
[3]	725 mm x 45 x 45 strut profile	2	3842512553
[4]	851 mm x 45 x 45 strut profile	2	3842512557
[5]	900 mm x 45 x 45 strut profile	3	3842512558
[6]	S12 x 30 connection screw	14	3842511943
[7]	Leg cap, 45 x 45	4	3842502200
[8]	Upper profile cap, 45 x 45	6	3842502674
[9]	Leveling foot	4	3842352061
[10]	Gusset	4	3842348526
[11]	T-bolt, 25 mm	4	3842197091
[12]	Flange nut	4	3842345081
[13]	DIN7984 M8 x 30 LHCS	4	2910131246
[14]	DIN7349 M8 flat washer	4	2916201005

LEG SET ASSEMBLY



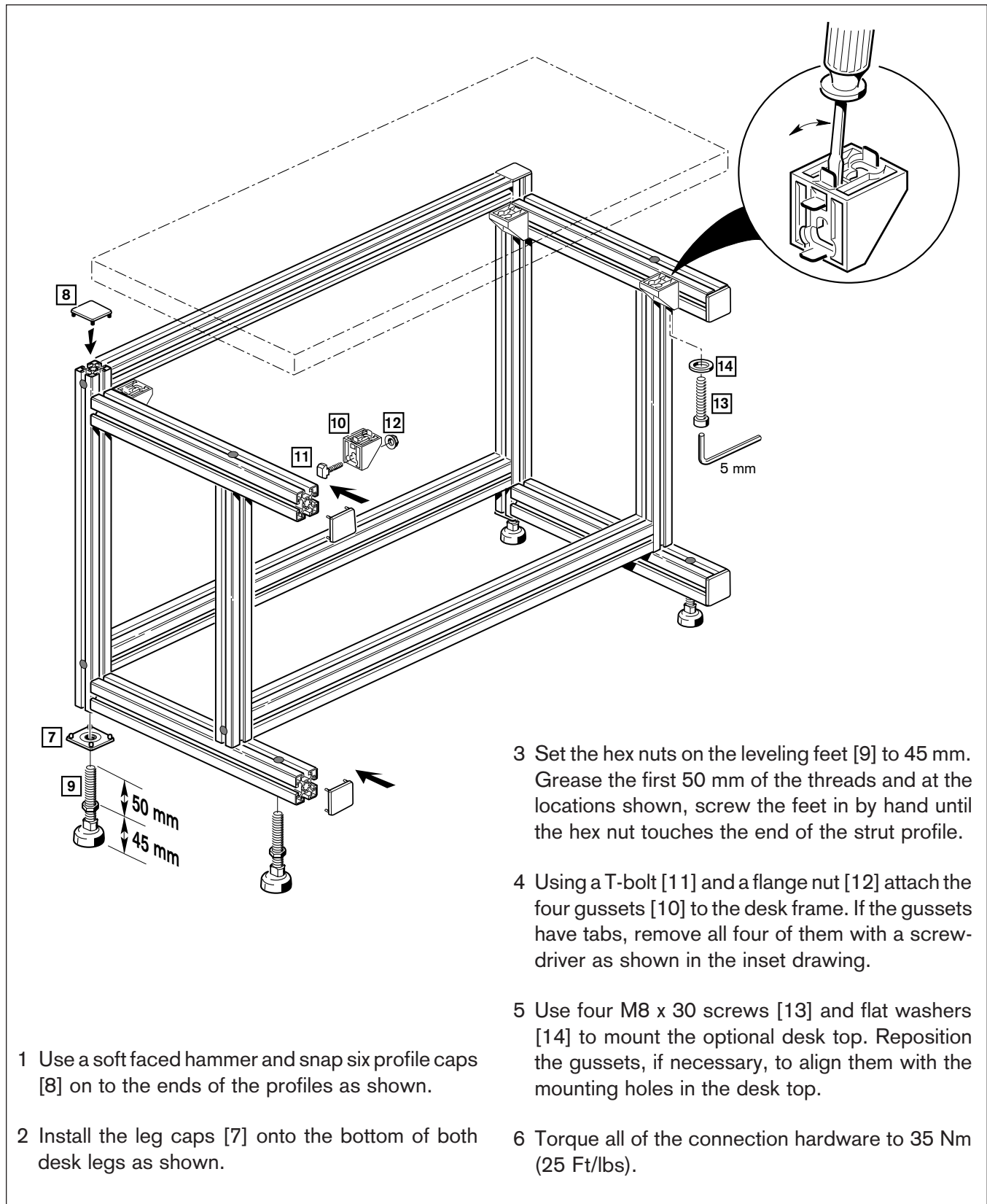
FRAME ASSEMBLY



1 Install connection screws [6] into the ends of both profiles [5].

2 Slide the profiles [5] into position between the legs [4] and then tighten the connection screws.

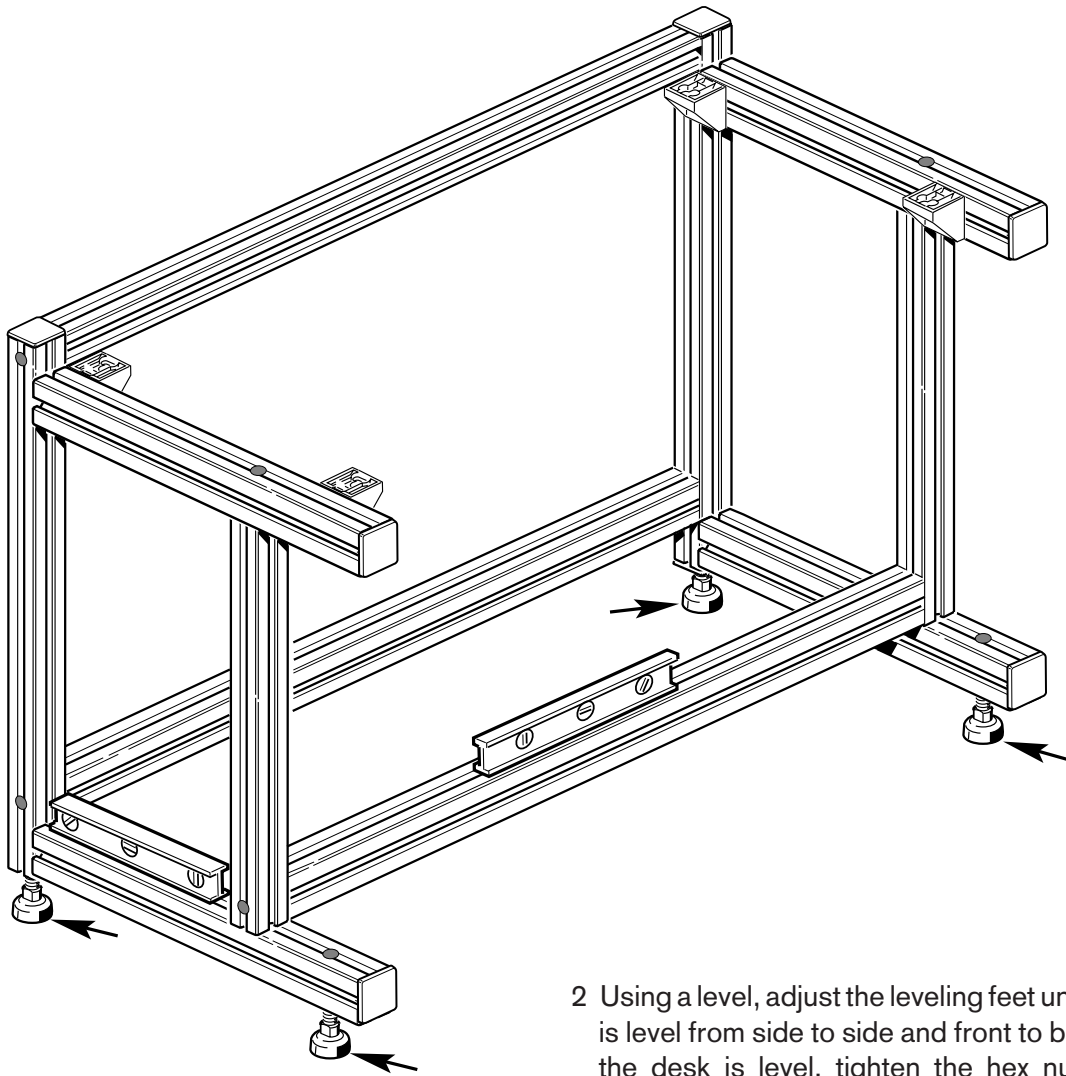
FINAL ASSEMBLY



- 1 Use a soft faced hammer and snap six profile caps [8] on to the ends of the profiles as shown.
- 2 Install the leg caps [7] onto the bottom of both desk legs as shown.

- 3 Set the hex nuts on the leveling feet [9] to 45 mm. Grease the first 50 mm of the threads and at the locations shown, screw the feet in by hand until the hex nut touches the end of the strut profile.
- 4 Using a T-bolt [11] and a flange nut [12] attach the four gussets [10] to the desk frame. If the gussets have tabs, remove all four of them with a screwdriver as shown in the inset drawing.
- 5 Use four M8 x 30 screws [13] and flat washers [14] to mount the optional desk top. Reposition the gussets, if necessary, to align them with the mounting holes in the desk top.
- 6 Torque all of the connection hardware to 35 Nm (25 Ft/lbs).

INSTALLATION



1 Position the desk in the location where it will be used.

2 Using a level, adjust the leveling feet until the desk is level from side to side and front to back. When the desk is level, tighten the hex nut on each leveling foot up against the strut profile with a 19 mm wrench. Keep the bottom of the leveling feet from rotating with a 13 mm wrench.

BOSCH



All rights are held by BOSCH AUTOMATION PRODUCTS and ROBERT BOSCH GMBH, also regarding patent claims. We retain all powers of disposition, such as for copying and/or for passing-on to third parties.

We reserve the right to make technical changes at any time without notice.

Errors and omissions excepted.

© 1997 Bosch Automation Products

8981 500 194 6/97

Bosch Automation Products

BOSCH Group

816 E. Third St.

Buchanan, MI 49107

Hot line: (800) 32-**BOSCH** [800-322-6724]

In Canada (800) 88-**BOSCH** [800-882-6724]

Tel.: (616) 695-0151

FAX: (616) 695-5363