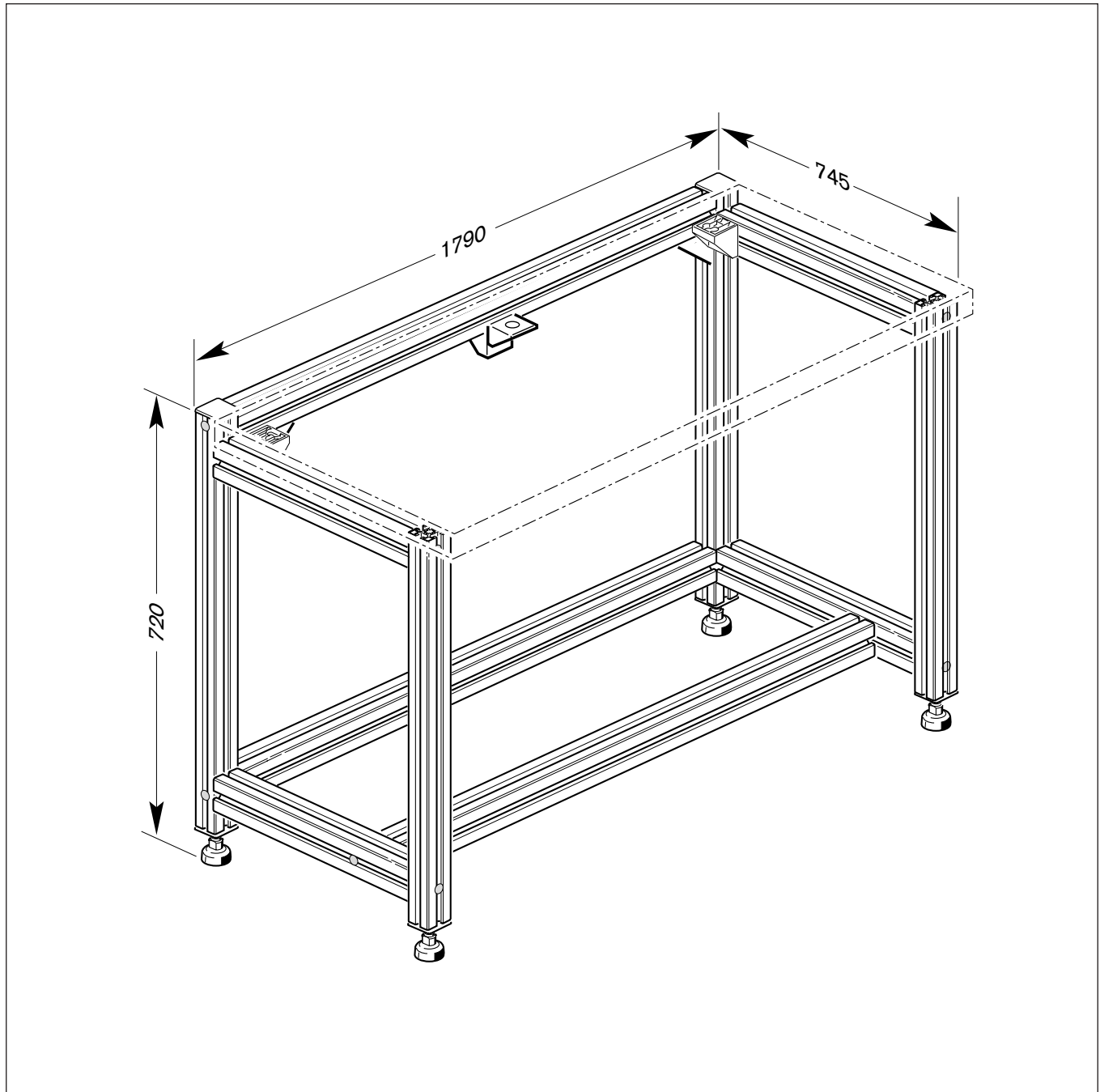
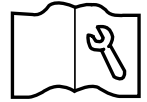


Lab Style Table Frame

Part No. 3842 515 607

Assembly Guide



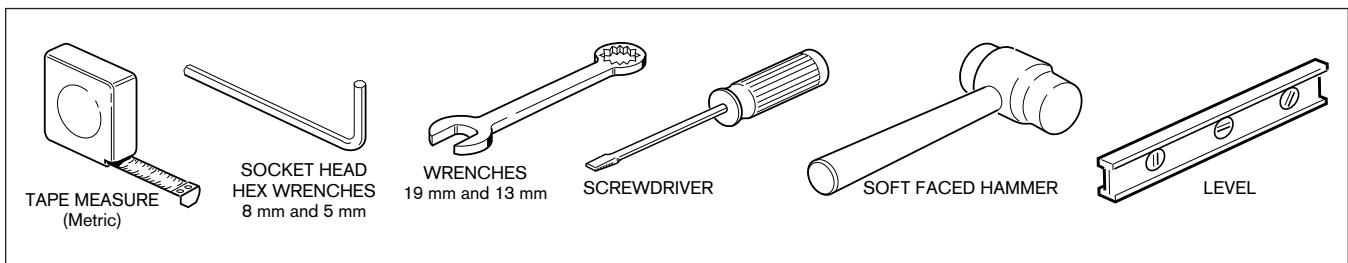
BOSCH

Automation Technology

SPECIFICATIONS

Lab style frame part number	3842515607
Height	720 mm (28.3")
Width	1790 mm (70.5")
Depth	745 mm (29.3")
Maximum load, centered	450 lbs. (2000 N)
Maximum load, distributed	900 lbs. (4000 N)

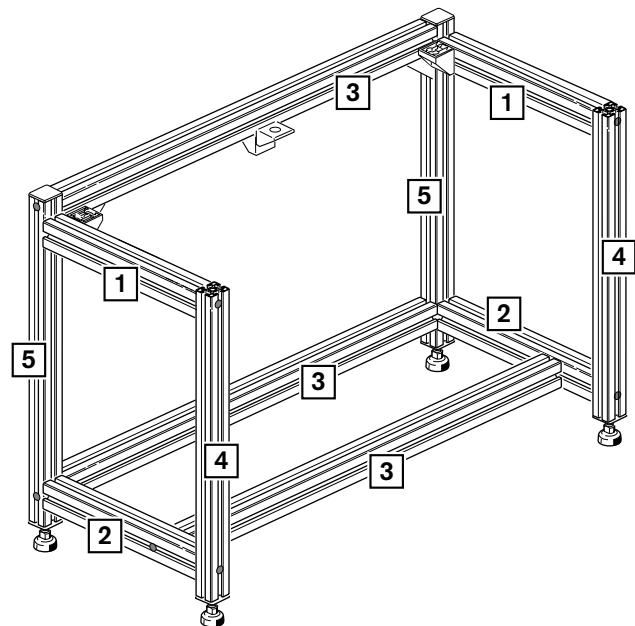
TOOLS REQUIRED



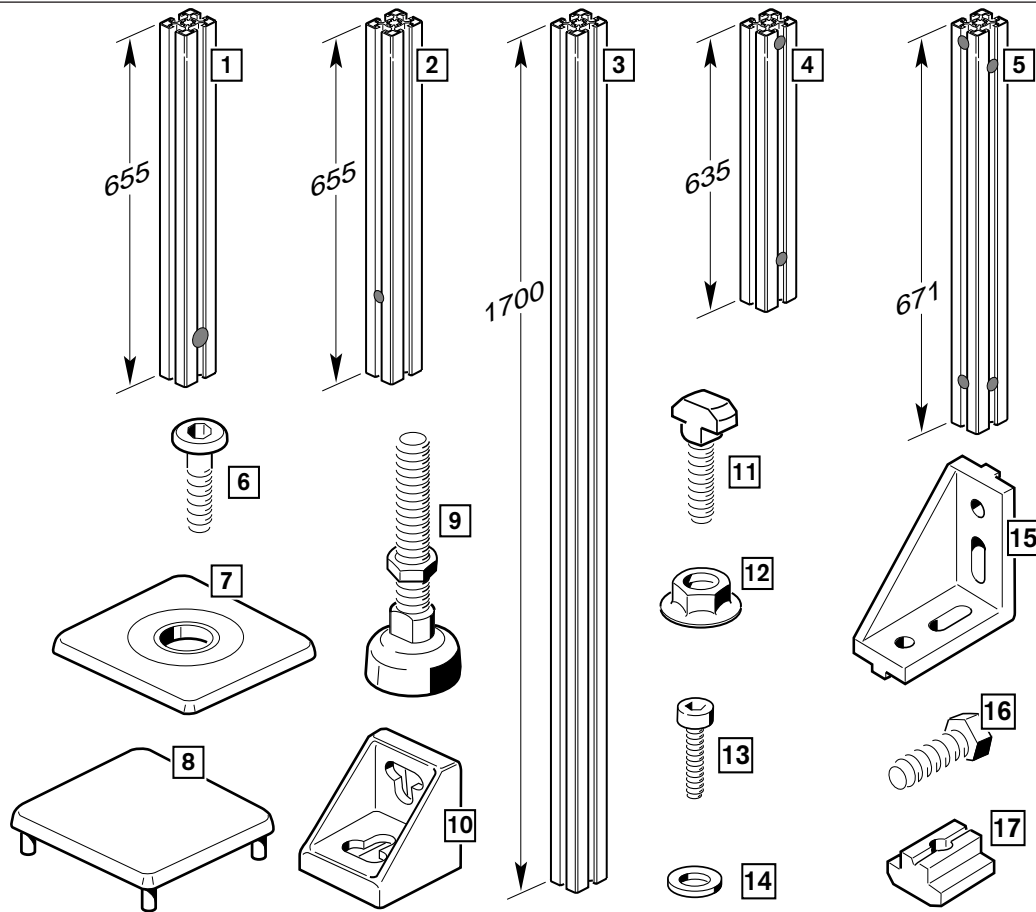
BEFORE YOU BEGIN

Before you begin to assemble the table, read through this manual to familiarize yourself with the assembly procedure. Check all parts carefully against the parts list on page 3. In some instances you may have extra hardware. The strut profiles can easily be identified by grouping them with one end even and then sorting them by length as shown in the parts list. Also the Bosch part number is attached to each profile for easy identification.

The adjacent drawing shows the location of each strut profile as it relates to the parts list. You may find it helpful to photo copy the parts list page and refer to it as you assemble the table.

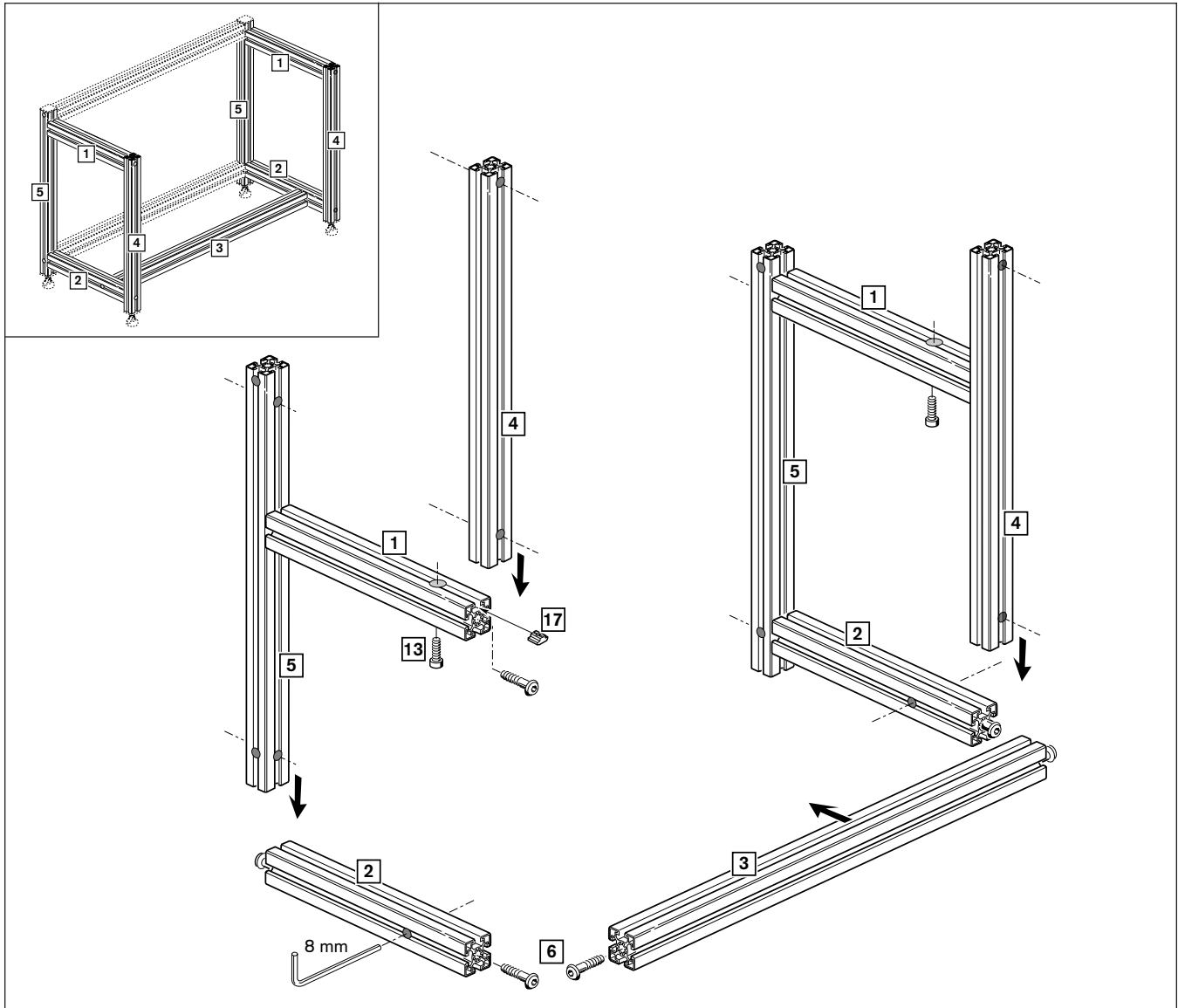


PARTS LIST

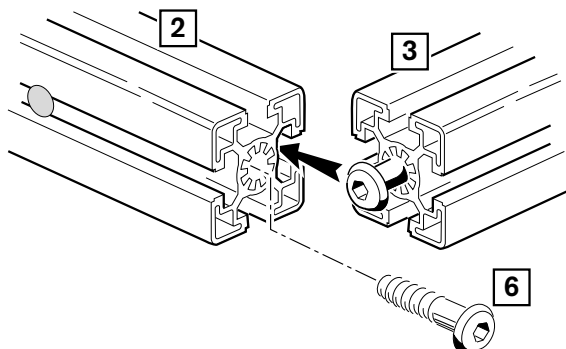


Key Number	Description	Quantity Needed	Part Number
[1]	655 mm x 45 x 45 strut profile	2	3842515614
[2]	655 mm x 45 x 45 strut profile	2	3842515613
[3]	1700 mm x 45 x 45 strut profile	3	3842515617
[4]	635 mm x 45 x 45 strut profile	2	3842515611
[5]	671 mm x 45 x 45 strut profile	2	3842515612
[6]	S12 x 30 connection screw	14	3842511943
[7]	Leg cap, 45 x 45	4	3842502200
[8]	Upper profile cap, 45 x 45	2	3842502674
[9]	Leveling foot	4	3842352061
[10]	Gusset, 43 x 42 mm	4	3842348526
[11]	T-bolt, 25 mm	11	3842197091
[12]	Flange nut	12	3842345081
[13]	DIN7984 M8 x 30 LHCS	4	2910131246
[14]	DIN7349 M8 flat washer	1	2916201005
[15]	Gusset, 42 x 88 mm	2	3842502349
[16]	DIN933 M8 x 30 hex head bolt	1	2911061246
[17]	Slotted Block	2	3842515969

LEG SET ASSEMBLY



1 Install connection screws [6] into both ends of profiles [1], [2] and [3]. Turn the screw into the profile until the threads are completely inside the profile as shown below.



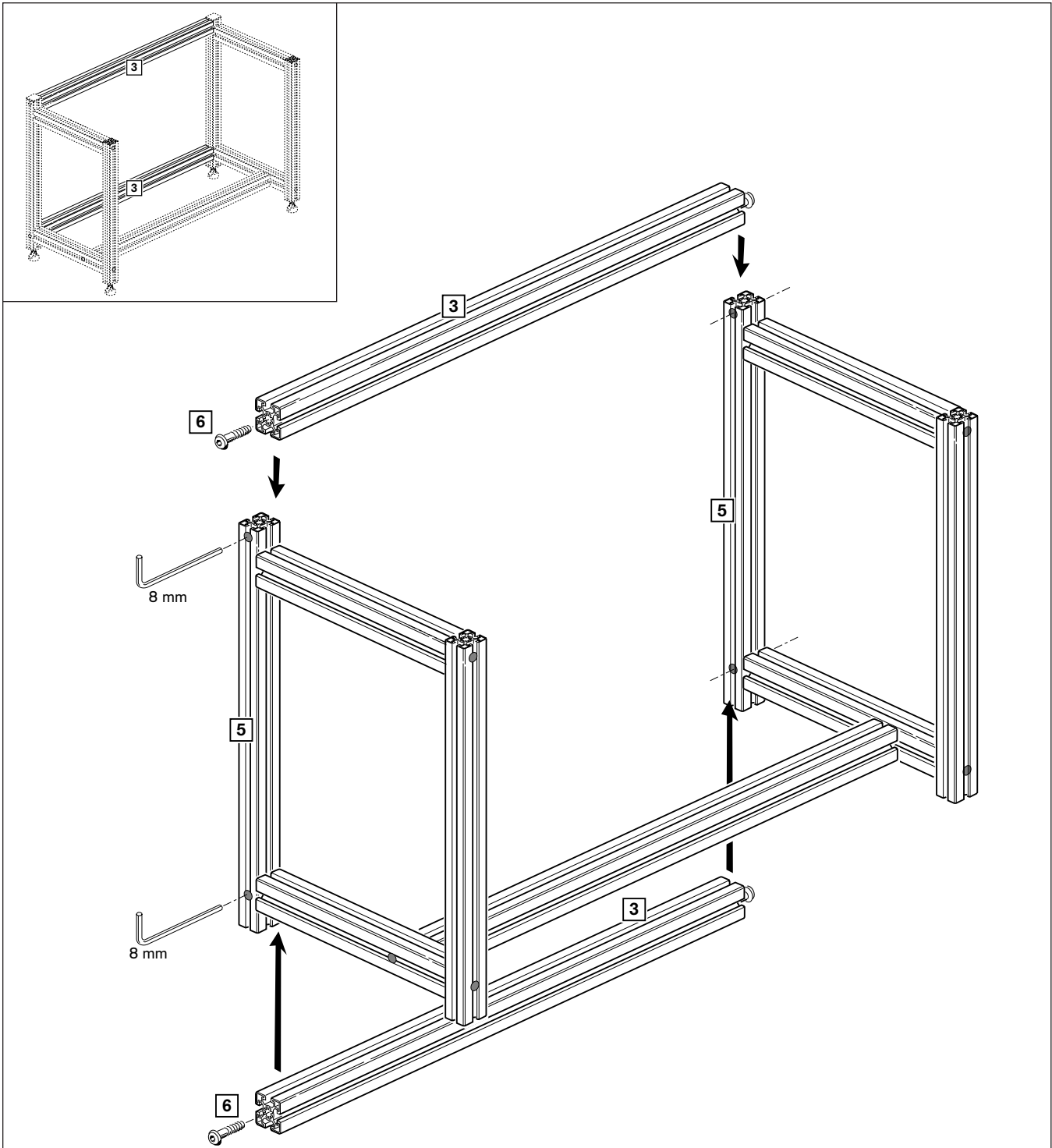
2 Slide a slotted block [17] into the end of each profile [1], then thread M8 x 30 screws [13] into the slotted blocks as shown.

3 Slide profile [3] into position between profiles [2] and [1] and tighten the connection screw through the hole in the profile with an 8 mm socket head wrench.

4 Secure profile [5] to the back of the upper and lower profiles [1] and [2].

5 Connect profile [4] to the front of both upper and lower profiles [1] and [2]. Tighten all connector bolts to 35 Nm (25Ft/lbs).

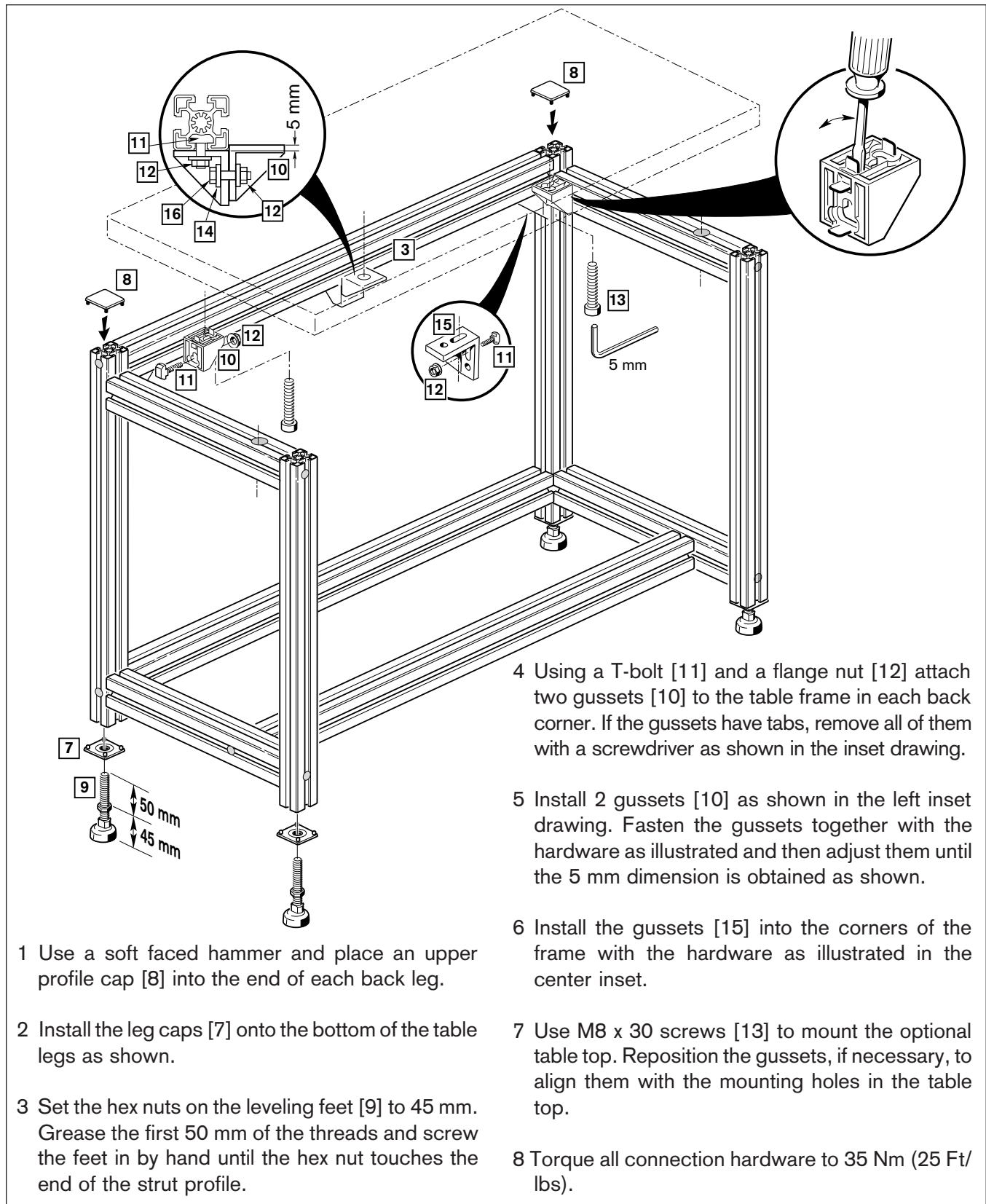
FRAME ASSEMBLY



1 Install connection screws [6] into the ends of both profiles [3].

2 Slide the profiles [3] into position between the legs [5] and then tighten the connection screws.

FINAL ASSEMBLY



- 1 Use a soft faced hammer and place an upper profile cap [8] into the end of each back leg.
- 2 Install the leg caps [7] onto the bottom of the table legs as shown.
- 3 Set the hex nuts on the leveling feet [9] to 45 mm. Grease the first 50 mm of the threads and screw the feet in by hand until the hex nut touches the end of the strut profile.

4 Using a T-bolt [11] and a flange nut [12] attach two gussets [10] to the table frame in each back corner. If the gussets have tabs, remove all of them with a screwdriver as shown in the inset drawing.

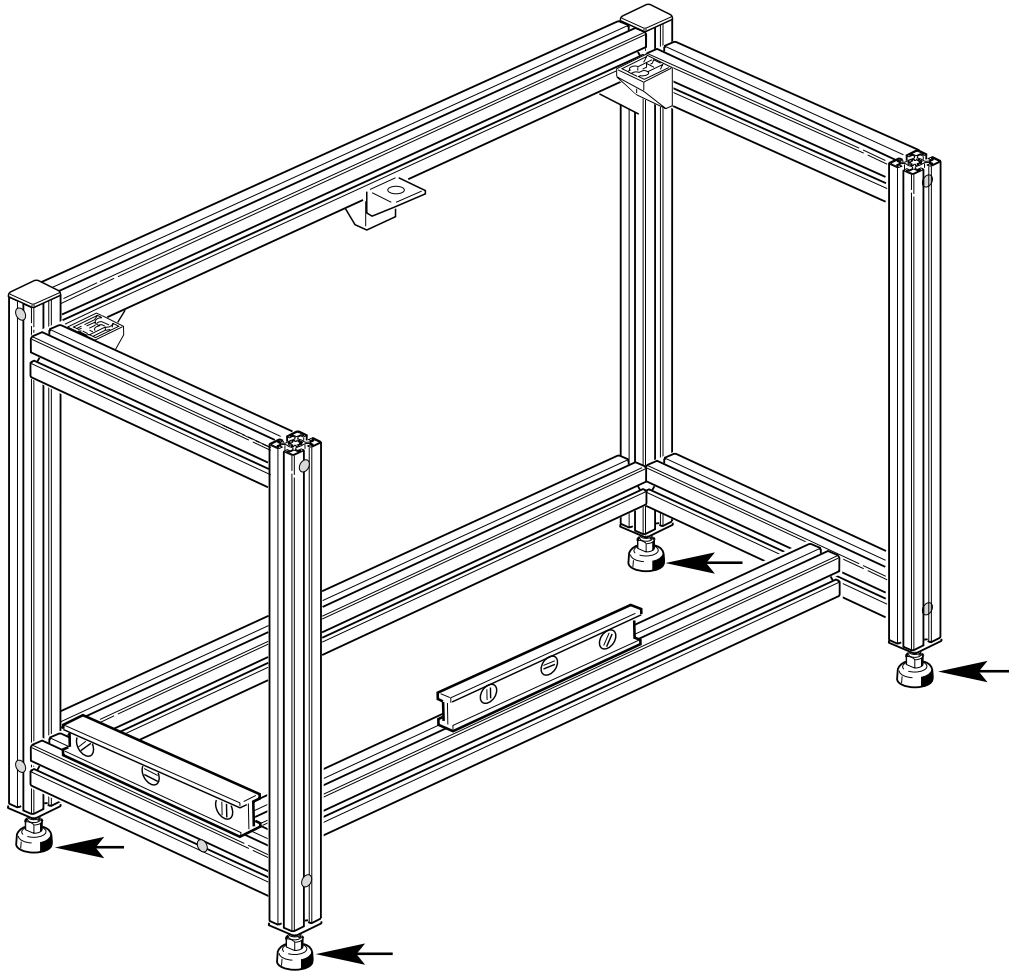
5 Install 2 gussets [10] as shown in the left inset drawing. Fasten the gussets together with the hardware as illustrated and then adjust them until the 5 mm dimension is obtained as shown.

6 Install the gussets [15] into the corners of the frame with the hardware as illustrated in the center inset.

7 Use M8 x 30 screws [13] to mount the optional table top. Reposition the gussets, if necessary, to align them with the mounting holes in the table top.

8 Torque all connection hardware to 35 Nm (25 Ft/lbs).

INSTALLATION



1 Position the worktable in the location where it will be used.

2 Using a level, adjust the leveling feet until the table is level from side to side and front to back. When the table is level, tighten the hex nut on each leveling foot up against the strut profile with a 19 mm wrench. Keep the bottom of the leveling foot from rotating with a 13 mm wrench.

BOSCH



All rights are held by BOSCH AUTOMATION PRODUCTS and ROBERT BOSCH GMBH, also regarding patent claims. We retain all powers of disposition, such as for copying and/or for passing-on to third parties.

We reserve the right to make technical changes at any time without notice.

Errors and omissions excepted.

© 1997 Bosch Automation Products

Bosch Automation Products

BOSCH Group

816 E. Third St.

Buchanan, MI 49107

Hot line: (800) 32-**BOSCH** [800-322-6724]

In Canada (800) 88-**BOSCH** [800-882-6724]

Tel.: (616) 695-0151

FAX: (616) 695-5363

8981 500 198 6/97